

D Series



D Series

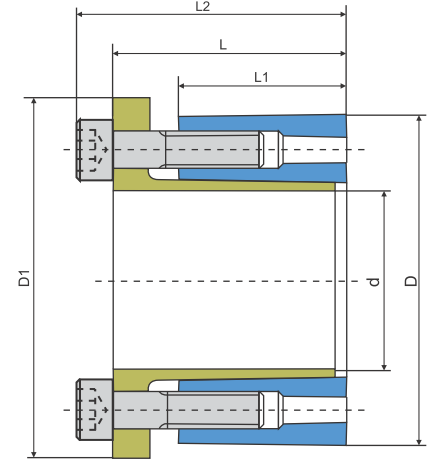
- High torque
- Self-centering
- Self-locking
- No axial movement during clamping

Technical qualification

Tolerance : Shaft h8 / Hub H8

Surface roughness : Ra max. 12.5

(Screw head height = Screw diameter)



Part No.	Size (mm)	Dimensions (mm)			Rated Load		Contact Pressure		Locking Screws		Weight (Approx.) (kg)
	dxDxL	L1	L2	D1	Axial (KN)	Torque (N.m)	Shaft (Mpa)	Hub (Mpa)	NxType (G. 12.9)	Tightening (N.m)	
OBC-20x47x39 D	20x47x39	26	45	53	33	320	172	74	6xM6	17	0.37
OBC-22x47x39 D	22x47x39	26	45	53	33	366	158	74	6xM6	17	0.40
OBC-24x50x39 D	24x50x39	26	45	56	34	380	139	67	6xM6	17	0.45
OBC-25x50x39 D	25x50x39	26	45	56	35	430	144	72	6xM6	17	0.44
OBC-28x55x39 D	28x55x39	26	45	61	35	480	128	66	6xM6	17	0.50
OBC-30x55x39 D	30x55x39	26	45	61	35	530	120	68	6xM6	17	0.45
OBC-32x60x39 D	32x60x39	26	45	66	43	680	138	76	8xM6	17	0.59
OBC-35x60x39 D	35x60x39	26	45	66	43	780	134	79	8xM6	17	0.53
OBC-38x65x39 D	38x65x39	26	45	71	45	860	125	70	8xM6	17	0.62
OBC-40x65x39 D	40x65x39	26	45	71	45	860	115	67	8xM6	17	0.60
OBC-42x75x47 D	42x75x47	30	55	81	60	1350	138	77	6xM8	41	1.05
OBC-45x75x47 D	45x75x47	30	55	81	60	1450	129	77	6xM8	41	0.98
OBC-48x80x47 D	48x80x47	30	55	86	60	1550	125	73	6xM8	41	1.30
OBC-50x80x47 D	50x80x47	30	55	86	70	1570	109	69	6xM8	41	1.00
OBC-55x85x47 D	55x85x47	30	55	91	80	2400	142	95	8xM8	41	1.10
OBC-60x90x47 D	60x90x47	30	55	96	80	2500	125	86	8xM8	41	1.20
OBC-65x95x47 D	65x95x47	30	55	102	90	2700	113	78	8xM8	41	1.25
OBC-70x110x57 D	70x110x57	40	67	117	130	4500	120	77	8xM10	83	2.4
OBC-75x115x62 D	75x115x62	40	72	122	130	5000	119	79	8xM10	83	2.7
OBC-80x120x62 D	80x120x62	40	72	127	130	5300	109	74	8xM10	83	2.7
OBC-85x125x62 D	85x125x62	40	72	132	160	7000	129	89	10xM10	83	3.0
OBC-90x130x62 D	90x130x62	40	72	137	160	7400	123	83	10xM10	83	3.0
OBC-95x135x62 D	95x135x62	40	72	142	170	7500	109	81	10xM10	83	3.0
OBC-100x145x70 D	100x145x70	46	82	153	190	9400	112	78	8xM12	145	5.5
OBC-110x155x70 D	110x155x70	46	82	163	200	11000	103	77	8xM12	145	4.8
OBC-120x165x70 D	120x165x70	46	82	173	240	14600	120	85	10xM12	145	5.5



Part No.	Size (mm)	Dimensions (mm)			Rated Load		Contact Pressure		Locking Screws		Weight (Approx.) (kg)
	dxDxDL	L1	L2	D1	Axial (KN)	Torque (N.m)	Shaft (Mpa)	Hub (Mpa)	NxType (G. 12.9)	Tightening (N.m)	
OBC-130x180x70 D	130x180x70	46	82	188	267	18700	133	97	12xM12	145	6.0
OBC-140x190x80 D	140x190x80	50	94	199	300	19300	100	75	8xM14	230	6.8
OBC-150x200x80 D	150x200x80	50	94	209	340	25500	122	92	10xM14	230	7.7
OBC-160x210x80 D	160x210x80	50	94	219	350	28000	116	89	10xM14	230	8.0
OBC-170x225x80 D	170x225x80	50	94	234	380	34000	125	95	12xM14	230	9.8
OBC-180x235x80 D	180x235x80	50	94	244	400	34600	115	86	12xM14	230	9.8

Inch size and special dimensions available upon request.

